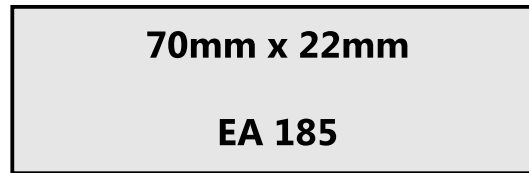
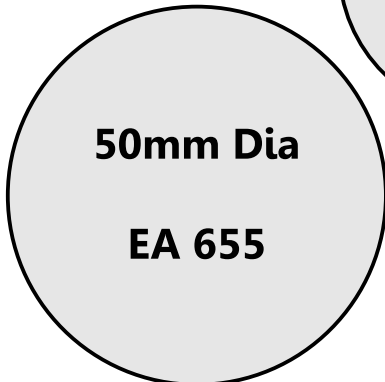
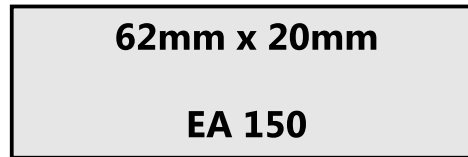
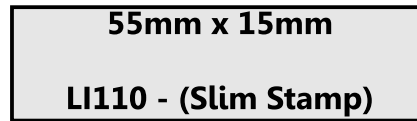
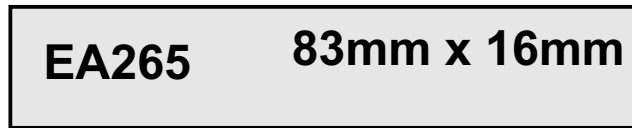
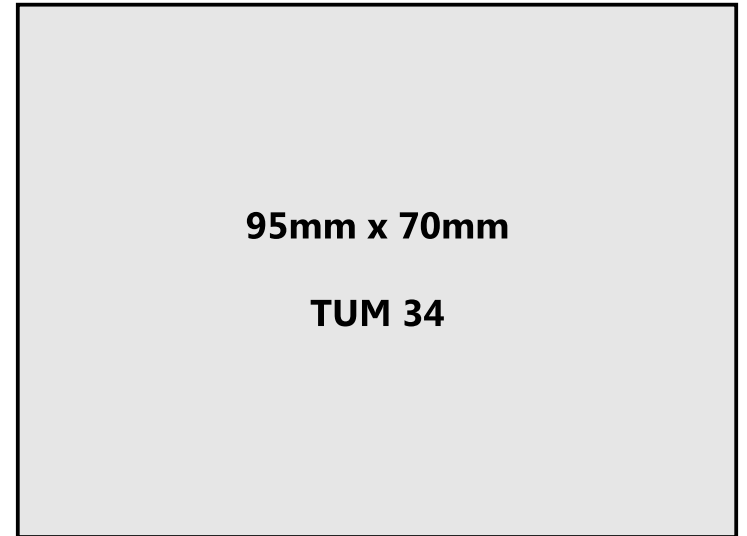
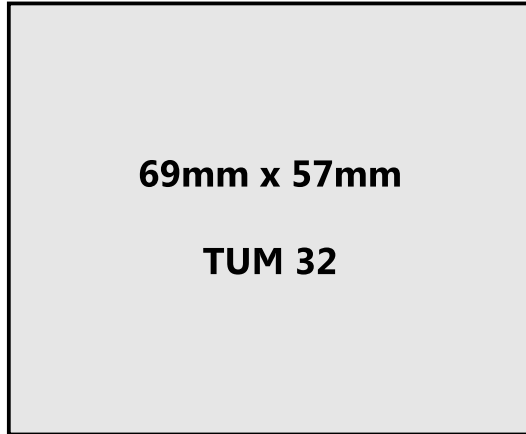


TUM = Trodat Ultimark EA = Shiny Premier



Inks for the Pre Inked Stamps:

Shiny Eminent Ink: (Shiny EA Stamps)	Ultimark Ink: (Suitable for TUM Stamp)
15mls - \$22.50 each 55mls - \$52.50 each	59mls - \$52.50 each
Available in Black, Red, Blue, Green & Violet	Available in Black, Red and Blue

CM CUSTOM MADE STAMPS

ABN: 25 612 152 011

Engraving, Trophies & Giftware

Website: www.custommadestamps.com.au
EMAIL: sales@custommadestamps.com.au
Unit 3/6 Virginia St, Geebung Qld 4034
Postal Address: PO Box 233
Geebung Qld 4034

Ph: 07 3865 8066

PRE INKED STAMP SIZE GUIDE

Stamp size displayed to scale. Print A4 @100%

TUM = Trodat Ultimark

EA = Shiny Premier

EA275
97mm x 46mm

50mm x 50mm

EA 5252

97mm x 72mm

EA 700

128mm x 93mm

EA 800

EA265
83mm x 16mm

EA720
110mm x 32mm

128mm x 43mm

EA 750

Inks for the Pre Inked Stamps:

Shiny Eminent Ink:
(Shiny EA Stamps)

15mls - \$22.50 each 55mls - \$52.50 each
Available in Black, Red, Blue, Green & Violet

Ultimark Ink:
(Suitable for TUM Stamp)

59mls - \$52.50 each
Available in Black, Red and Blue

CM CUSTOM MADE STAMPS

ABN: 25 612 152 011

Engraving, Trophies & Giftware



S = Shiny T = Trodat

24mm x 8mm
S841

24mm x 7mm
T4910

36mm x 12mm
S842 T4911

POCKET STAMP
36mm x 12mm
S722

45mm x 16mm
S843 T4912

28mm x 18mm
S835

62mm x 38mm
S829

68mm x 28mm
T 4931

73mm x 13mm
S832

80mm x 23mm
S833 T4925

Website: www.custommadestamps.com.au
EMAIL: sales@custommadestamps.com.au
Unit 3/6 Virginia St, Geebung Qld 4034
Postal Address: PO Box 233
Geebung Qld 4034

Ph: 07 3865 8066

48mm x 28mm
S827 T4929

63mm x 25mm
S846

58mm x 38mm
T 4927

S831 68mm x 8mm T4916

52mm x 11mm
S310

39mm x 22mm
S826

56mm x 20mm
S844 T4913

83mm x 53mm
T 5211

54mm x 31mm
S828

48mm x 38mm
S837

58mm x 31mm
T4928

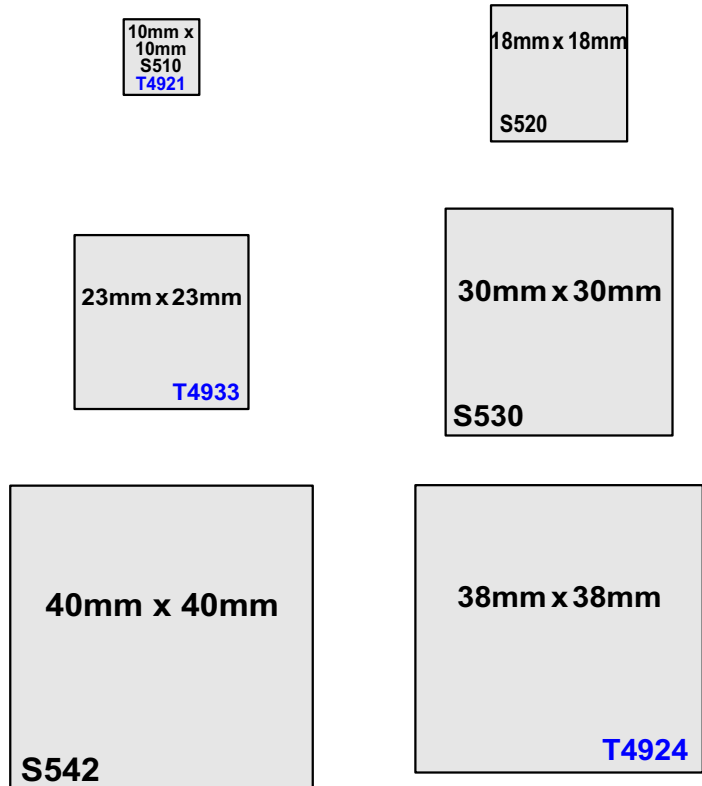
73mm x 36mm
S830 T4926

114mm x 68mm
T 5212

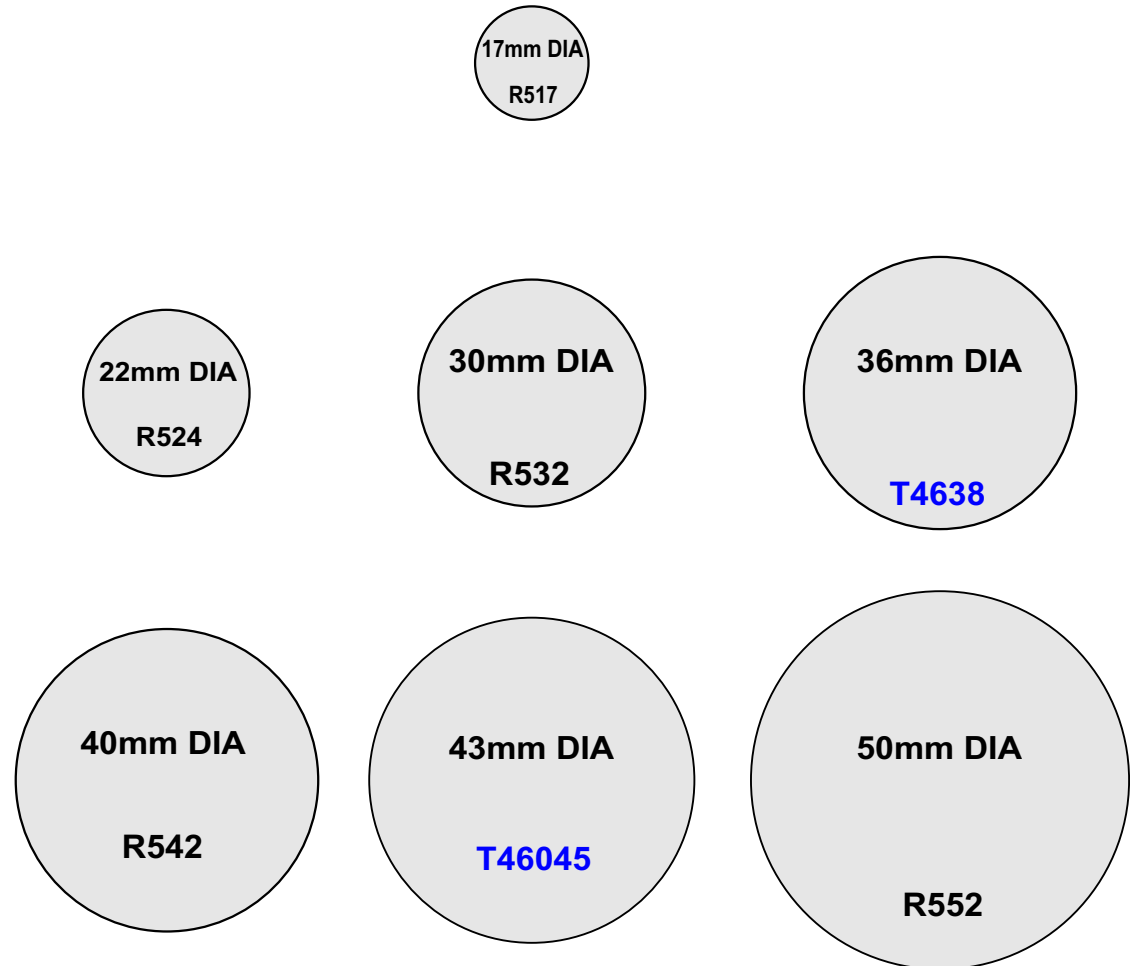
SELF INKING STAMP SIZE GUIDE

Stamp size displayed to scale. Print A4 @100%
WHEN PRINTING IN PREVIEW MAKE SURE IT
IS "as in Document"

Self Inking Stamps - Square



Self Inking Stamps - Circles



TRADITIONAL STAMP SIZE GUIDE

Stamp size displayed to scale. Print A4 @100%

WHEN PRINTING IN PREVIEW MAKE SURE IT IS "as in Document"

38mm x 18mm

\$28.00

WM3818

58mm x 18mm

\$32.00

WM5818

48mm x 28mm

WM4828

\$37.00

38mm x 38mm

WM3838

\$38.00

28mm x 28mm

\$28.00

WM2828

58mm x 28mm

WM5828

\$45.00

78mm x 18mm

WM7818

\$39.95

98mm x 18mm

WM9818

\$40.00

WM12530
125mm x 30mm

\$69.95

This stamp uses
the 9053 stamp pad
160mm x 90mm
Only Red, Blue or Black
Violet and Green S4 178mm x 128mm

55mm in Dia

WMR55

\$55.00

78mm x 38mm

WM7838

\$52.00

98mm x 38mm

WM9838

\$61.50

58mm x 38mm

WM5838

\$49.50

45mm in Dia

WMR45

\$58.00

98mm x 58mm

WM9858

\$76.50

78mm x 58mm

WM7858

\$62.50

58mm x 58mm

WM5858

\$58.00

35mm in Dia

WMR35

\$35.00

WM16585

165mm x 85mm

\$165.00

*This stamp uses
the S4 stamp pad
178mm x 128mm*

WM11555

115mm x 55mm

\$95.00

*This stamp uses
the 9053 stamp pad
160mm x 90mm
Only Red, Blue or Black
Violet and Green S4 178mm x 128mm*

WM9595

95mm x 95mm

\$95.00

*This stamp uses
the S4 stamp pad
178mm x 128mm*

WM11585

115mm x 85mm

\$130.00

*This stamp uses
the S4 stamp pad
178mm x 128mm*

WM14545

145mm x 45mm

\$120.00

*This stamp uses
the 9053 stamp pad
160mm x 90mm
Only Red, Blue or Black
Violet and Green S4 178mm x 128mm*

WM115115

115mm x 115mm

\$145.00

*This stamp uses
the S4 stamp pad
178mm x 128mm*

EXTRA LARGE WOODEN BASED HANDLED STAMP SIZE GUIDE

Stamp size displayed to scale. Print A4 @100%

WHEN PRINTING - IN PREVIEW MAKE SURE IT IS "as in Document"

WM14595

145mm x 95mm

\$155.00

*This stamp uses
the S4 stamp pad
178mm x 128mm*

WM16545

165mm x 45mm

\$145.00

*This stamp uses
the S4 stamp pad
178mm x 128mm*

WM165115

165mm x 115mm

\$175.00

*This stamp uses
the S4 stamp pad
178mm x 128mm*

WM7575

75mm x 75mm

\$85.00

*This stamp uses
the Trodat 9053 stamp pad
160mm x 90mm
Only Red, Blue or Black
Violet and Green
S4 178mm x 128mm*

WM14565

145mm x 65mm

\$145.00

*This stamp uses
the 9053 stamp pad
160mm x 90mm
Only Red, Blue or Black
Violet and Green S4 178mm x 128mm*

Rubber Stamp Artwork Guide

Creating artwork for rubber stamps requires careful consideration to ensure the final product is clear, detailed, and functional. Here are some key guidelines to follow:

1. Design Simplicity

- **Keep it Simple:** Rubber stamps work best with simple, bold designs. Avoid intricate details that may not transfer well onto the rubber.
- **Bold Lines:** Use bold lines and shapes to ensure clarity. Thin lines or fine details can get lost during the stamping process.

2. High Contrast

- **Black and White:** Design in black and white to see how the stamp will look when inked. Avoid gradients and shading.
- **Clear Edges:** Ensure there are clear, distinct edges in your design to create a crisp imprint.

3. Size and Scale

- **Proper Dimensions:** Create your design to fit the exact dimensions of the stamp size you will be using.
- **Check Legibility:** Ensure that all text and images are legible at the size of the final stamp. Test by printing your design at the actual size.

4. Text Considerations

- **Readable Fonts:** Use simple, bold fonts. Avoid cursive or highly decorative fonts that might not reproduce well.
- **Spacing:** Maintain sufficient spacing between letters and elements to prevent them from merging when stamped.

5. Image Resolution

- **High Resolution:** Design at a high resolution (300 DPI or higher) to ensure the stamp maker can capture all the details.
- **Vector Graphics:** Use vector graphics if possible. They provide the clearest lines and can be resized without loss of quality.

6. Design Elements

- **Negative Space:** Incorporate enough negative space to ensure that elements are not too close together. This helps in achieving a clean stamp.
- **Borders:** If using a border, ensure it's not too close to the edge of the stamp to avoid partial impressions.

7. Testing and Adjustments

- **Test Prints:** Before finalizing, print your design on paper to check for clarity and detail.
- **Adjustments:** Make necessary adjustments based on the test prints. Simplify further if needed.

8. File Formats

- **Preferred Formats:** Save your final design in commonly accepted formats such as PNG, JPG, or vector formats like SVG or AI.
- **Design Software:** Use professional design software like Adobe Illustrator, CorelDRAW, or similar for best results.

By following these guidelines, you can create effective and visually appealing rubber stamp designs that reproduce well and serve their intended purpose efficiently.